

► Ultra high resolution F-mount lenses

The Pentax Ricoh F-mount lenses YF5028A-02 and YF5028A-35 fulfill all requirements for perfect imaging systems. They deliver high resolution, high contrast and are suitable for 5-megapixel area scan sensors as well as for line scan sensors with up to 7450 pixels and a pixel size of 4.7 μm. They provide optimum image quality for close-up applications and have low distortion figures of just -0.05% to +0.01% over a distance of 45mm. The resulting images are bright and evenly lit.

The lenses have an even focal length of 50 mm but have been optimised for different magnifications. The standard magnifications are 0.2x and 0.35x. Beyond that, the lenses can be used for magnifications ranging from 0.15x to 0.23x or 0.28x to 0.4x at user-friendly short working distances of 361 mm to 242 mm or 201 mm to 146 mm.

Focus and aperture can be fixed with locking screws. Aperture can be adjusted continuous or by "click-stop". The metal housing guarantees a long lifetime. Thanks to the robust and compact construction and a maximum diameter of 60 mm the lenses are ideally suited for industrial applications.

Optionally the lenses are also available with C-mount connection for use with 1.2" matrix sensors.

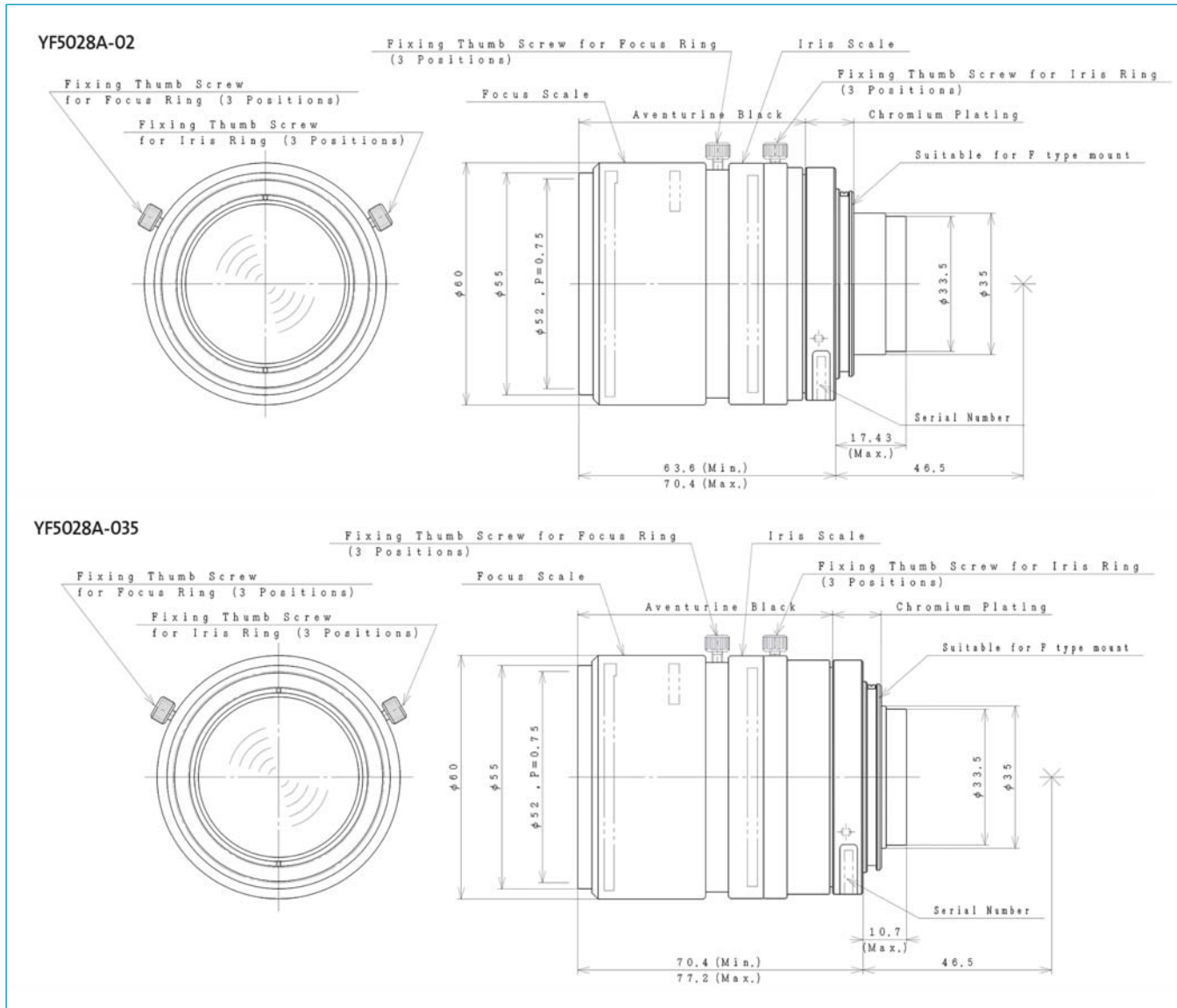


► Technical Data

SPECIFICATIONS	YF5028A-02	YF5028A-035
FOCAL LENGTH	50 mm	50 mm
APERTURE	F 2.8	F 2.8
OPERATING DISTANCE	242 - 361 mm	146 - 201 mm
FIELD OF VIEW (DIAMETER, MAX.)	45 mm	45 mm
REPRODUCTION SCALE	0.2	0.35
FOCUS RING	manually and fixable	manually and fixable
APERTURE RING	manually and fixable	manually and fixable
DISTORTION (MAX.)	-0,05 %	0,01 %
FILTER THREAD	M52 x 0.75	M52 x 0.75
MOUNTING	F-mount	F-mount
DIMENSIONS (D x L in mm)	60 x 64.6	60 x 71.4
WEIGHT	425 g	435 g



► Dimensions



O-PENT3-07/2013 - Subject to technical change without notice. No liability is accepted for errors which may be contained in this document.