



Guppy PRO

F-033



- Compact VGA camera
- Robust metal housing
- 1/2" CCD sensor
- Optocoupled I/Os

Description

Small CCD camera with ICX414 - 1394b, VGA

The Guppy PRO F-033B/C is a small 1394b camera with the ICX414 sensor and VGA resolution. At full resolution the camera runs 85 fps. With a smaller AOI, higher frame rates are possible.

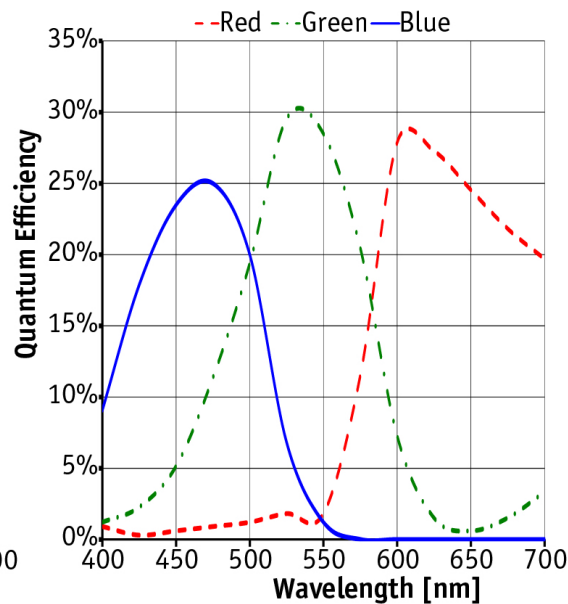
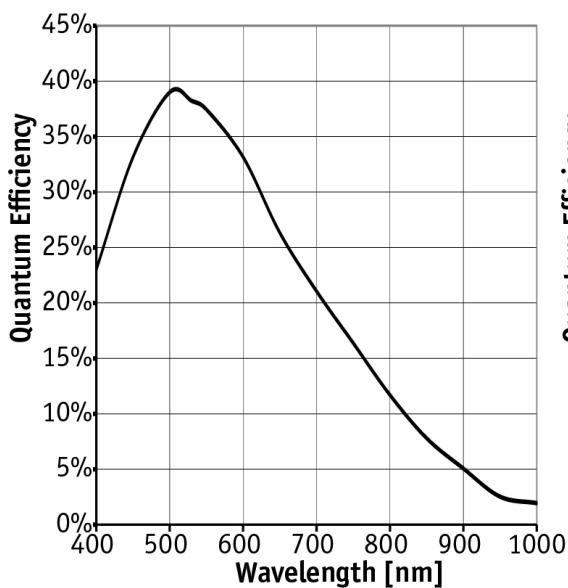
Options

- Various IR cut/pass filters
- White medical housing

Specifications

Guppy PRO	F-033
Interface	IEEE 1394b - 800 Mb/s, 1 port
Resolution	656 × 492
Sensor	Sony ICX414
Sensor type	CCD Progressive
Sensor size	Type 1/2
Cell size	9.9 µm
Lens mount	C-Mount
Max frame rate at full resolution	85 fps
ADC	14 bit
On-board FIFO	
	Output
Bit depth	8-12 bit
Mono modes	8/12/16
Color modes RGB	RGB8

Guppy PRO	F-033
Raw modes	8/12/16
General purpose inputs/outputs (GPIOs)	
TTL I/Os	
Opto-isolated I/Os	1/3
RS-232	
Operating conditions/dimensions	
Operating temperature	+5 °C ... +45 °C
Power requirements (DC)	8 V - 36 V
Power consumption (@12 V)	<3.5 W
Mass	80 g
Body dimensions (L × W × H in mm)	44.8 × 29 × 29 mm incl. connectors
Regulations	CE, FCC Class B, RoHS

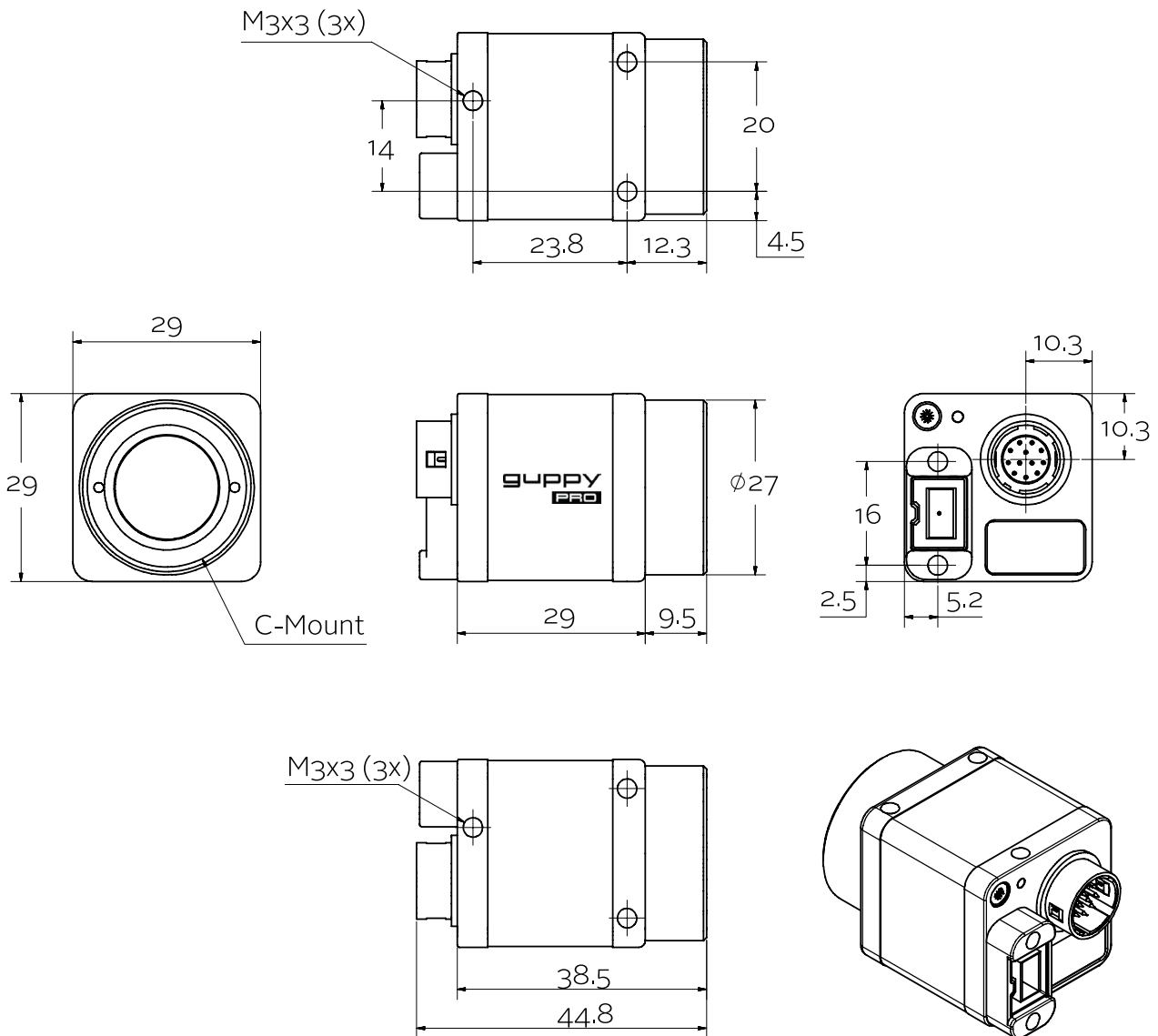


Features

- LUT (look-up table)
- Gamma
- Color correction
- AOI, separate AOI for auto features
- Binning
- Sub-sampling
- Auto gain (manual gain control: 0 to 24.4 dB)
- Auto exposure (31 μ s to 67 s)

- Trigger programmable, level, single, bulk, programmable delay
- Storable user sets

Technical drawing





Applications

This inexpensive, reliable mainstream machine vision camera addresses a wide range of imaging applications. With its ultra-compact housing, the Guppy PRO F-033B/C is the perfect fit for all applications with space constraints.

- Machine vision
- Robotics (robust housing, lightweight camera)
- Quality control
- Semiconductor inspection
- Industrial inspection
- ITS/Traffic monitoring
- ... and many more